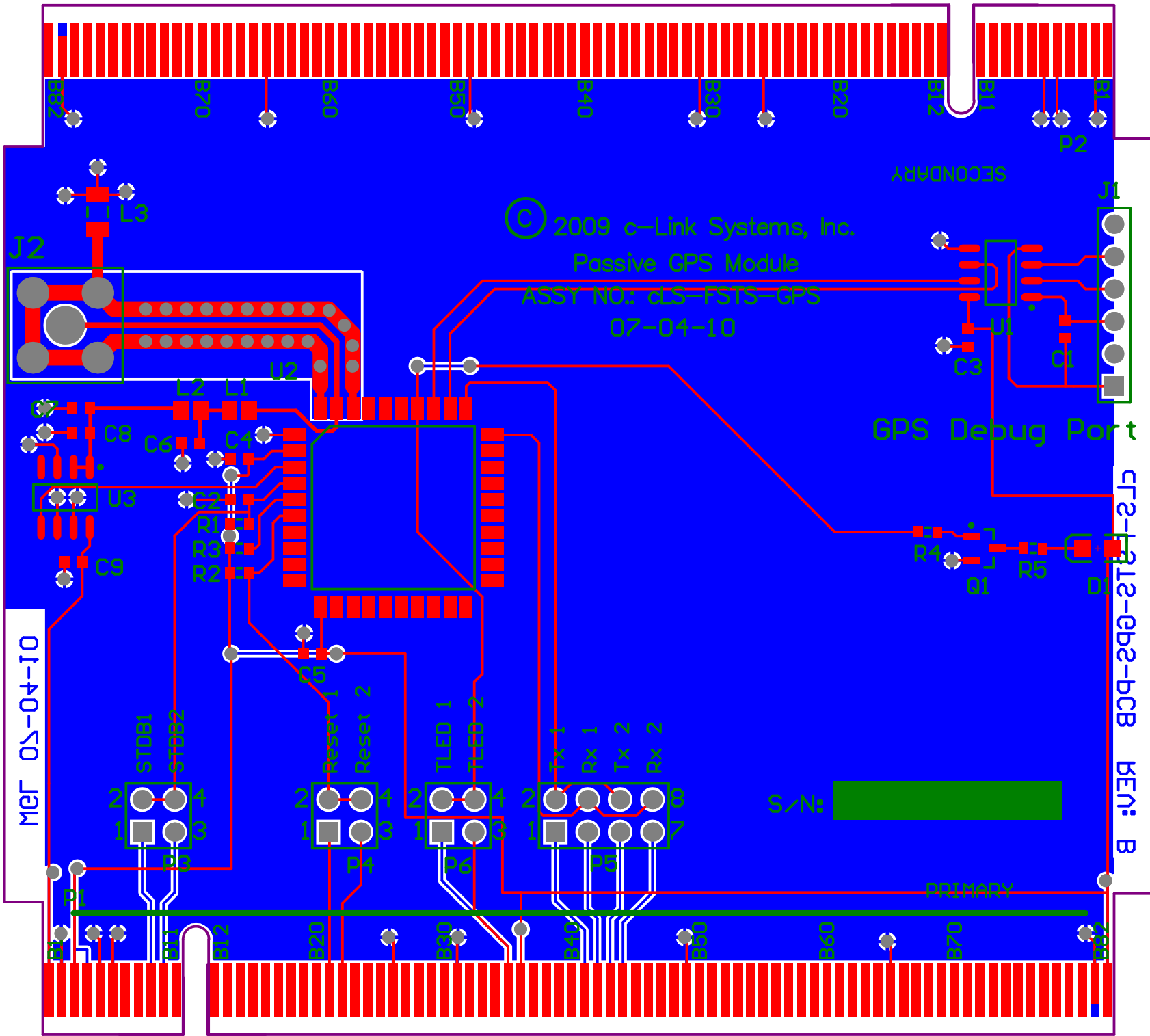


Title Tower Connectors		c-Link Systems, Inc. 212 Kahkonen Rd. Norway, ME 04258 USA P. 207-743-0002 www.c-linksystems.com	
Size: B	Number: cLS-FSTS-GPS	Rev: B	
Date: 5/12/2010	Sheet 2 of 2		
File: K:\Robot Electronics\FSTS-GPS\Schem\FSTS_GPS_1_SchDoc			





© 2009 c-Link Systems, Inc.
Passive GPS Module
ASSY NO: cLS-FSTS-GPS
07-04-10

MeT 05-04-10

S/N: [redacted]

GPS Debug Port

CT2-1212-0B2-bCB REN: B

SECONDARY

PRIMARY

P1 P2 P12 P11 P10 P9 P8 P7 P6 P5 P4 P3 P2 P1

P1 P2 P3 P4 P5 P6 P7 P8 P9 P10 P11 P12

J2

J1

U3

U2

STDB1

STDB2

Reset 1

Reset 2

TLED 1

TLED 2

Tx 1

Rx 1

Tx 2

Rx 2

C8

C6

C4

C9

R3

R2

C3

C1

R4

R5

Q1

Q2

L2

L1

L3